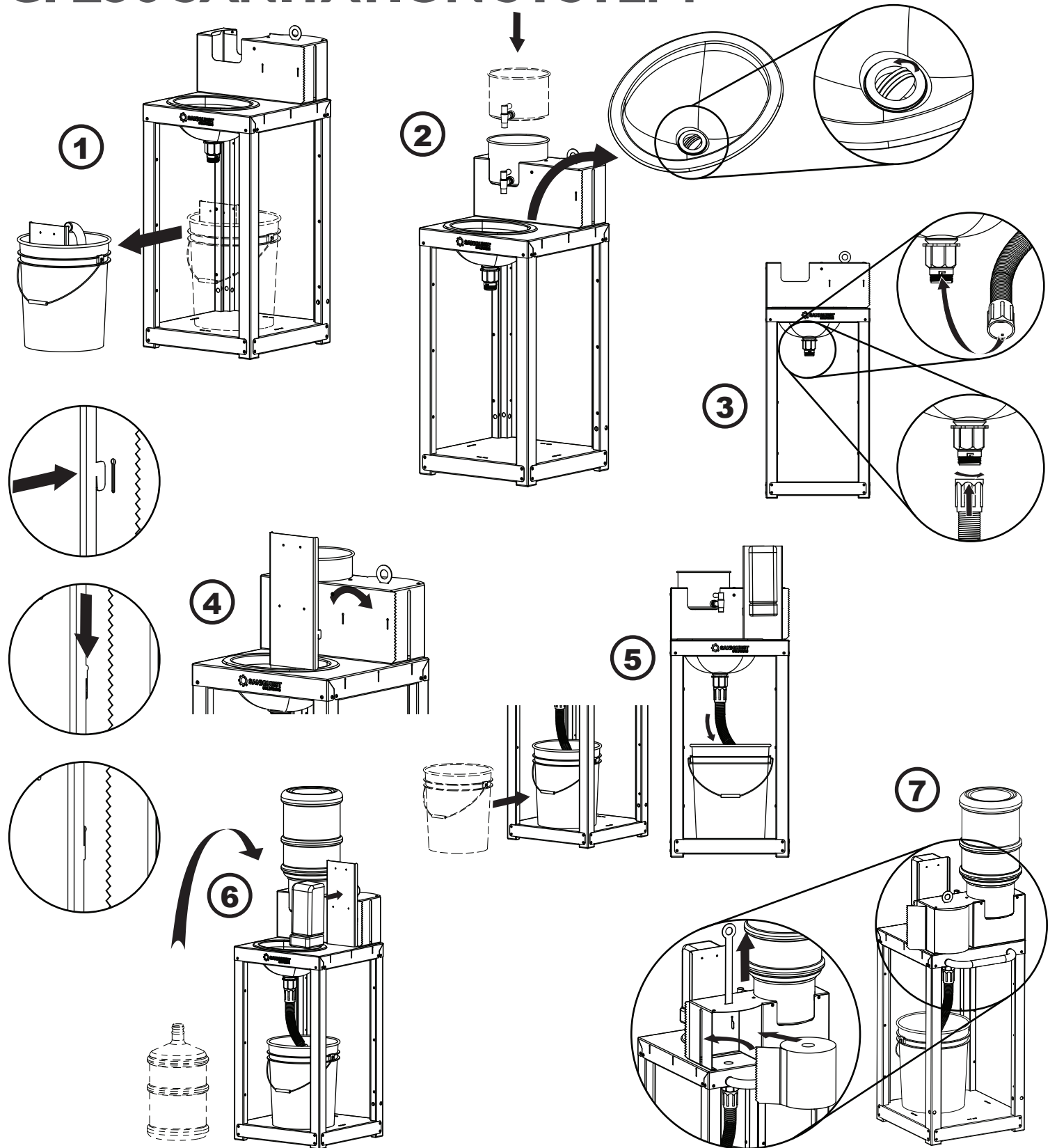


GF250 SANITATION SYSTEM

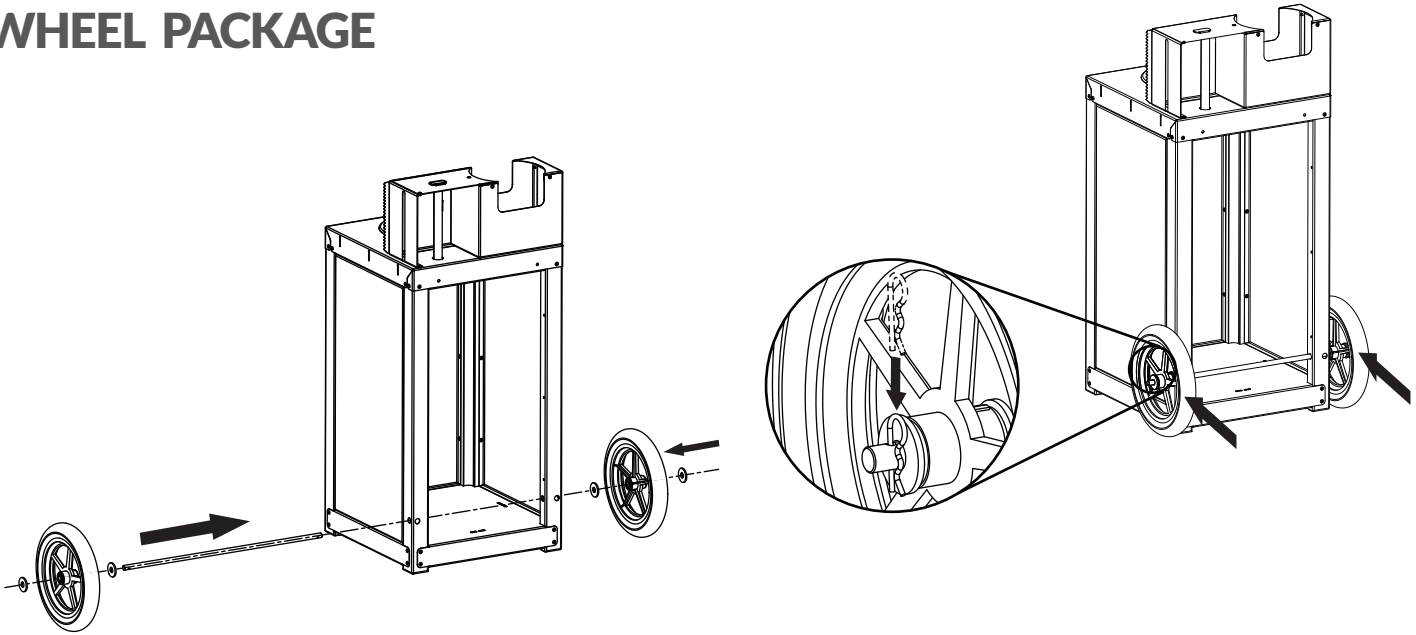


For more information call (306) 994 2401 or visit www.saniquest.ca

GF250P SANITATION SYSTEM

OPTIONAL EXTRA FEATURES

WHEEL PACKAGE



TRANSPORT HANDLE

GARBAGE BAG HOLDER

